

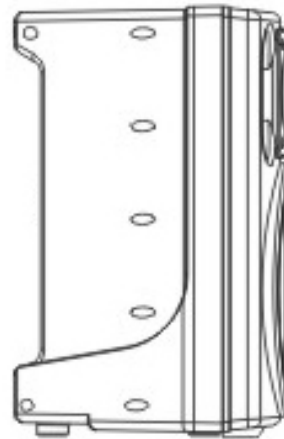
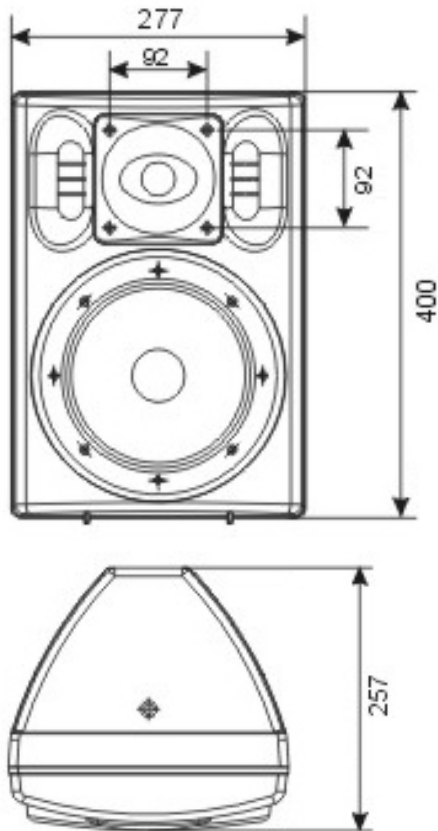
170.254 Technical Parameters



- 2way crossover active multi-functional speaker
- One 8" woofer
- one Tweeter with titanium diaphragm (diameter 25mm)
- Microphone input, line input, high and middle frequency adjusted separately
- perfectly protection circuit
- Revolving treb driver horn
- Structure plastic cabinet, waterproofing and sunscreening
- 6 mounting hole, moulded-in mount
- Fit for conference, small hall, outdoor and indoor environment
- combined with bass speaker for middle-small system main speaker
- Used as assistant speaker

System.....	Built-in Crossover two way full ranger active speaker
Driver quantity	8" x1 (Bass)
.....	1x 25 mm Driver
Frequency response(-3dB)	65 Hz - 18 kHz
Frequency response(-10dB)	60 Hz - 20 kHz
Impedance.....	8 Ohms
Power rating (RMS)	100 W(Bass)+50 W(Treb)
Average SPL(dB/IM).....	113 dB
Maximum SPL(dB/M)	116 dB
Dispersion(HxV)	90°X60°
Distortion	Line-0.02%
.....	Microphone- 0.04%
Connector type	XLRK3P
Power supply	230 VAC / 50 Hz
Dimension(WXDXHmm/Pcs).....	277 x 257 x 400 mm
Packaging Dimension(WXDXHmm/Pair).....	595 x 310 x 460 mm
Net weight(kg/Pcs)	8.6 kg
Gross weight(Kg/Pair)	19.2 kg

Front + Left View unit = mm



Rear panel:

